

ASK TRANSMITTER MODULE

XM-TL

General Introduction

The XM-TL is an ASK transmitter module .The result is excellent performance in a simple-to-use .The XM-TL is designed specifically for remote-control , wireless mouse car alarm system operating. The weather forecast (temperature, rainfall, wind speed, island-from mosquitoes project plan) products; Household appliances remote; Remote control toy cars, planes, etc.

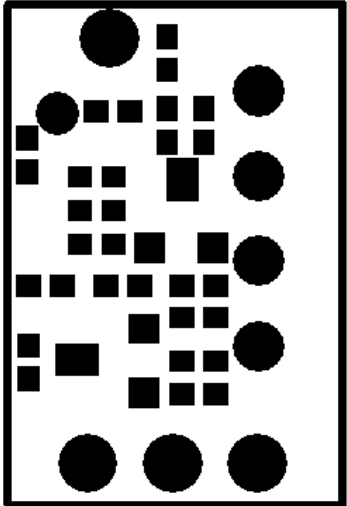
Features:

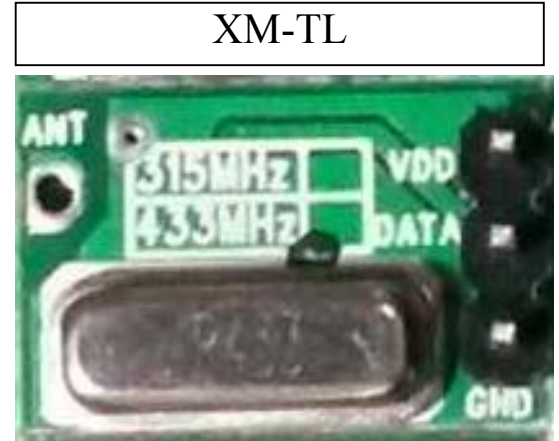
- Ideal for 315-480 MHz Remote Keyless-Entry Transmitter.
- SAW RESONATOR
- ASK Design
- 2.2V~12V POWER SUPPLY
- LOW POWER CONSUMPTION

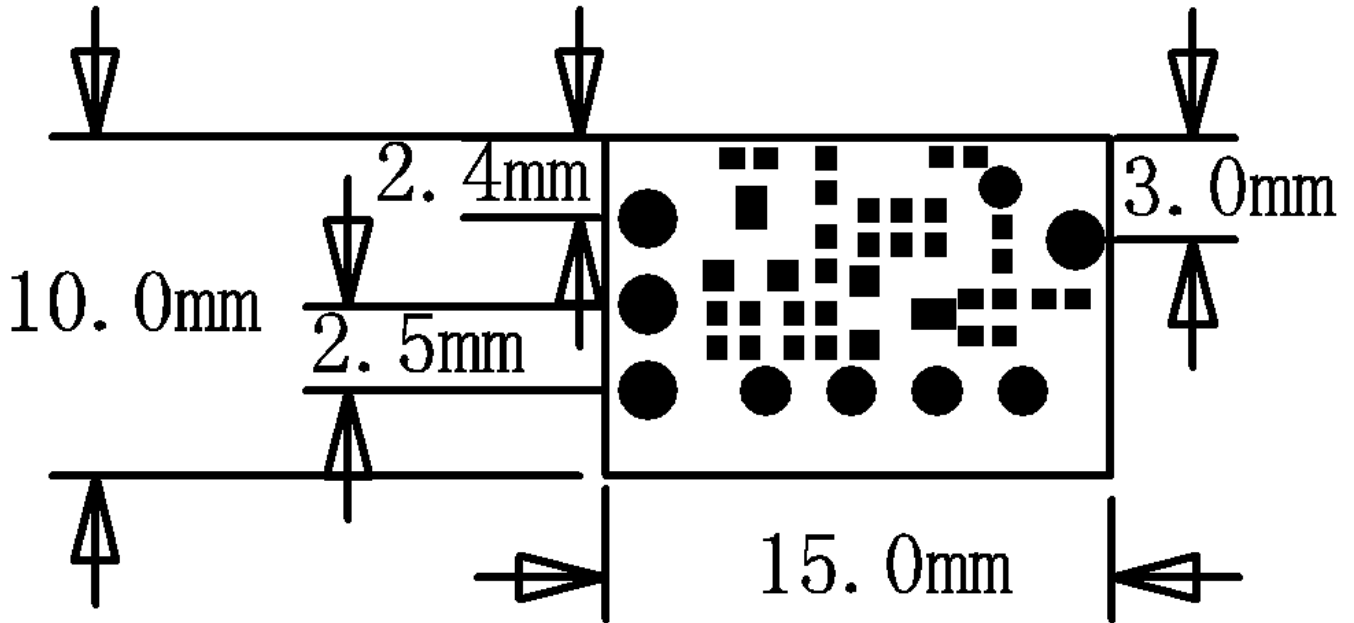
Typical Application:

- Remote control
- Remote sensor
- Wireless data collection
- Home security system
- car alarm system
- Toys
- Tire pressure monitoring system

Pin Definition:

PIN	Connections	
1	VDD	<div style="text-align: center;">4</div>  <div style="display: flex; justify-content: center; gap: 20px;"> 1 2 3 </div>
2	DATA	
3	GND	
4	ANT	





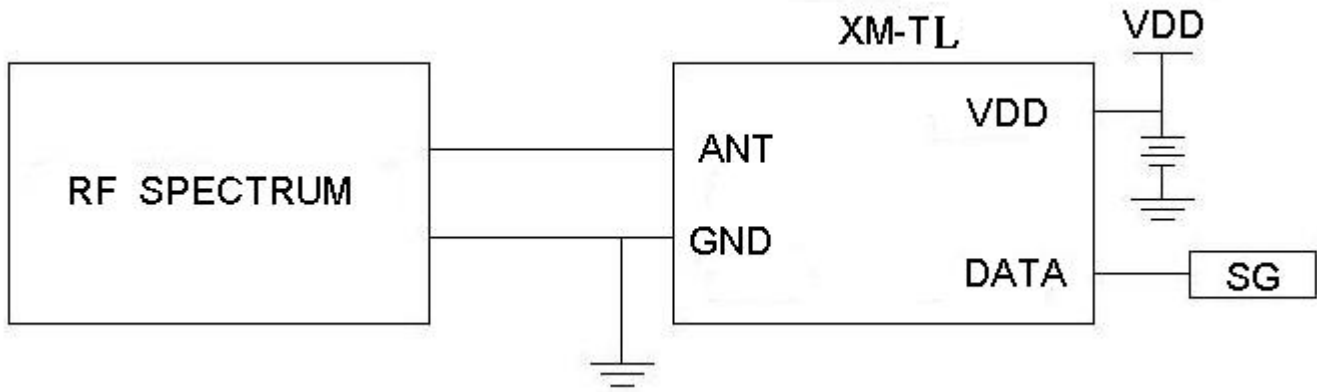
Absolute Maximum Ratings:

Parameter	Value	Units
Power Supply and/or Modulation Input Voltage	2.2 ~ 12	V
Operating temperature	-30 to +70	°C

Transmitter Characteristics:

Parameter	Symbol	Condition	Condition			Unit
			min.	typ.	max.	
Operation Frequency			315		480	MHz
Output power		V _{cc} =3.0V, TA=25°C, 50Ω load		12		dBm
		V _{cc} =12.0V, TA=25°C, 50Ω load		27		
Supply current	I _{cc}	V _{cc} =3V		24		mA
		V _{cc} =12V		150		
Supply voltage Range	V _{cc}		2.2	3.3	12	V
Data Rate			300		10K	bps

Typing Test Circuit



Typical transmitter Application

